

CITY of NORTH OLMSTED

Mayor Kevin M. Kennedy

Division of Building

A 5200 Dover Center Road | North Olmsted, Ohio 44070 P 440-777-8000 F 440-777-5889

To Obtain A Submeter (Second Meter)

North Olmsted Residents

The North Olmsted Building Department has a drawing of how the Cleveland Water Department wants the plumbing put in for a second meter (attached).

After that work has been done by a plumber or the homeowner, contact the Building Department at 440-777-8000, Ext. 4133 or 4132, and they will set up an inspection time. If you should have any questions regarding any of this information, please contact the Plumbing Inspector at 440-716-4124.

Please also complete the Lawn Irrigation Procedure Acknowledgement Form (attached) and give to the inspector at the time of your inspection.

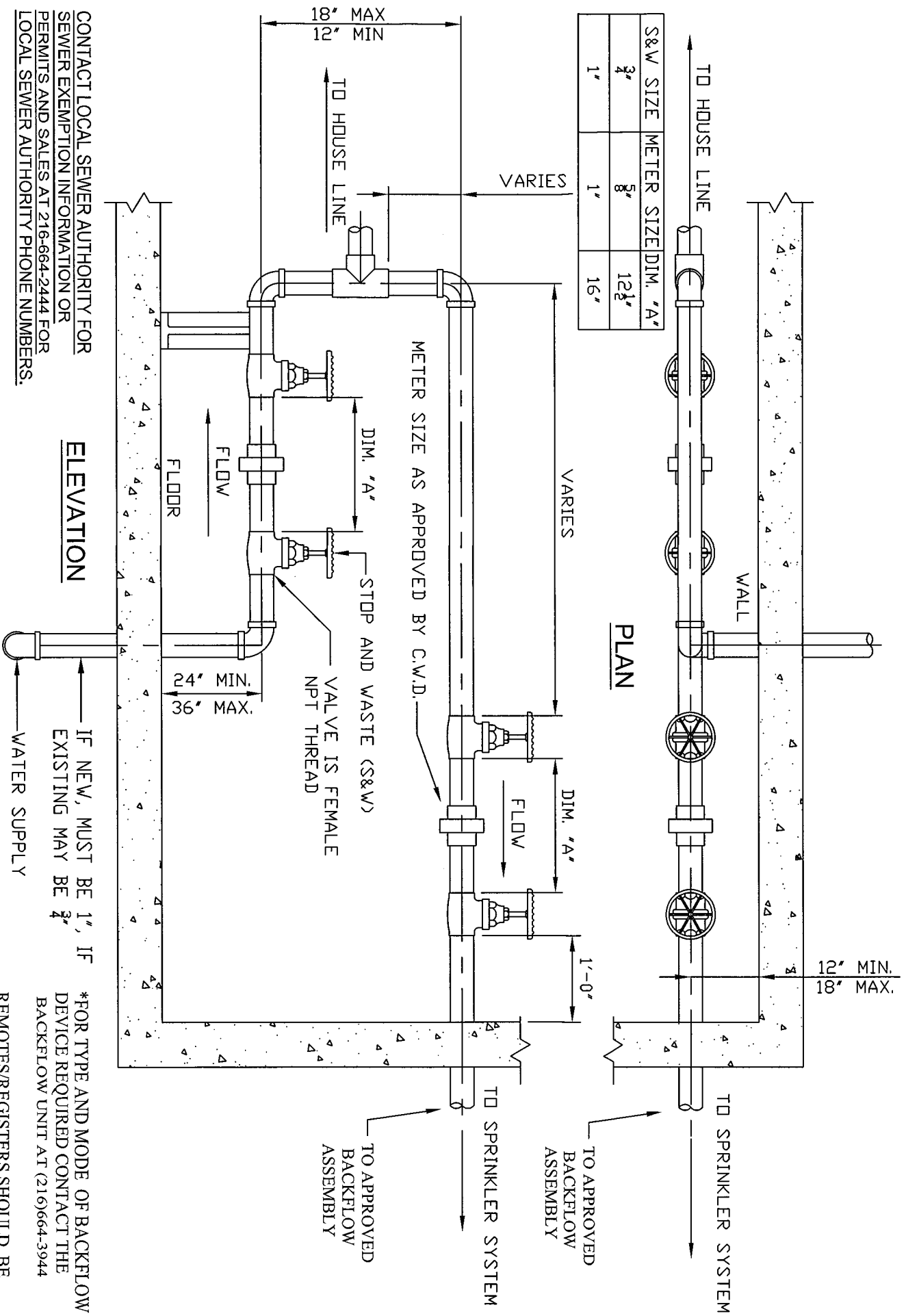
If the inspection is approved, the Plumbing Inspector will give the information to the North Olmsted Service Department and they will send a letter to you and also to the Cleveland Water Department. At that time, you may contact the Cleveland Water Department and order your second meter.

The cost of the meter will be determined by the Cleveland Water Department.

You will be required to install the proper backflow devices. Inspections will be made by the Plumbing Inspector for approval of your submeter.

You may contact the Cleveland Water Department, Permit and Sales Department, at 216-664-2444.

S&W SIZE	METER SIZE	SIZE DIM. 'A'	DIM. 'A'
3"	8"	12 1/2"	
1"	1"	16"	



CONTACT LOCAL SEWER AUTHORITY FOR SEWER EXEMPTION INFORMATION OR PERMITS AND SALES AT 216-664-2444 FOR LOCAL SEWER AUTHORITY PHONE NUMBERS.

ELEVATION

PLAN

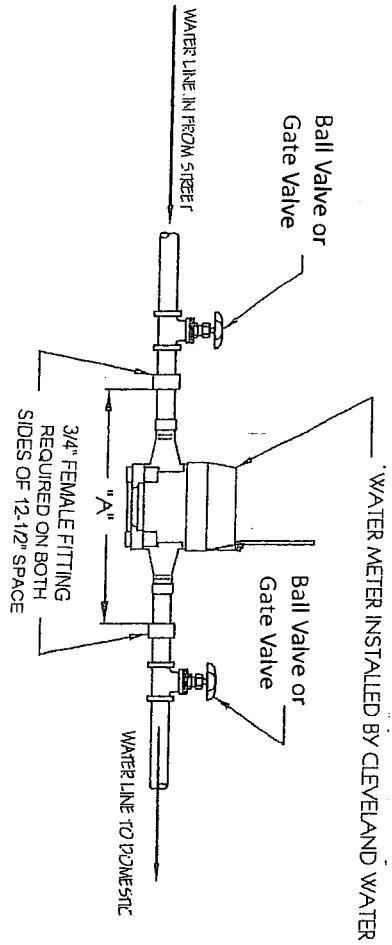
STD-M18

APPROVED INSIDE BUILDING METER SETTING FOR 5/8", 1" METERS FOR SEWER EXEMPTION, RESIDENTIAL ONLY

IF NEW, MUST BE 1", IF EXISTING MAY BE 3/4" WATER SUPPLY

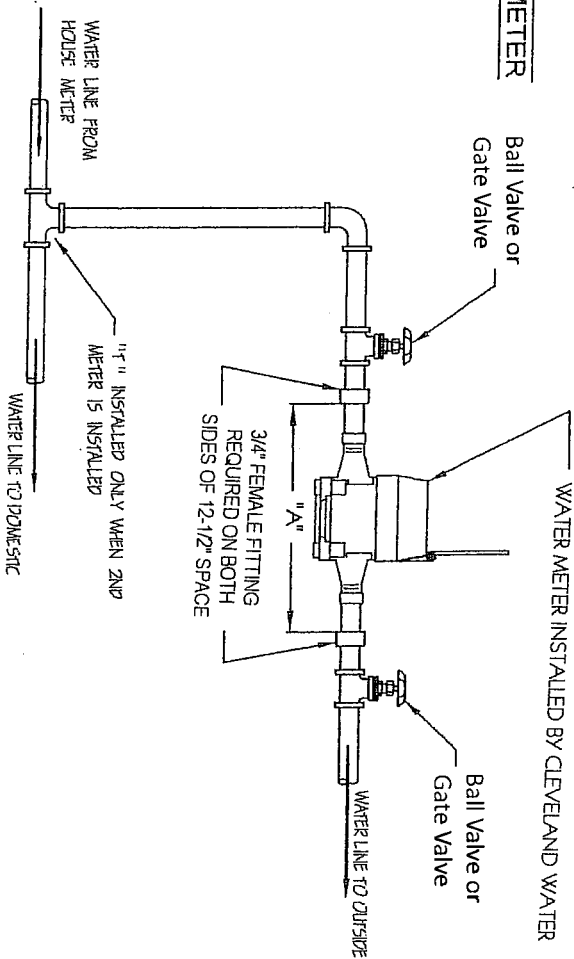
*FOR TYPE AND MODE OF BACKFLOW DEVICE REQUIRED CONTACT THE BACKFLOW UNIT AT (216)664-3944 REMOTES/REGISTERS SHOULD BE SIDE BY SIDE ON EXTERNAL WALL

DATE: 12-3-2012



WATER METER INSTALLED BY CLEVELAND WATER

HOUSE WATER METER



WATER METER INSTALLED BY CLEVELAND WATER

NOTE:
ALL WATER METERS TO BE INSTALLED HORIZONTALLY

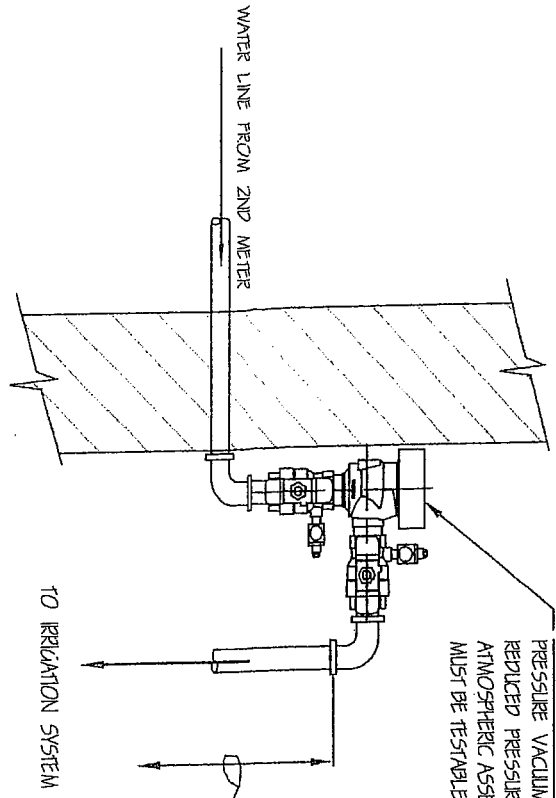
SECOND (DEDUCT) WATER METER

NOTE: final configuration of piping and location of meter is determined in the field depending on available space

SECOND METER TO BE INSTALLED
DOWNSTREAM (AFTER) MAIN HOUSE
METER

**TYPICAL WATER
METER INSTALLATION**

DRAWING IS NOT TO SCALE

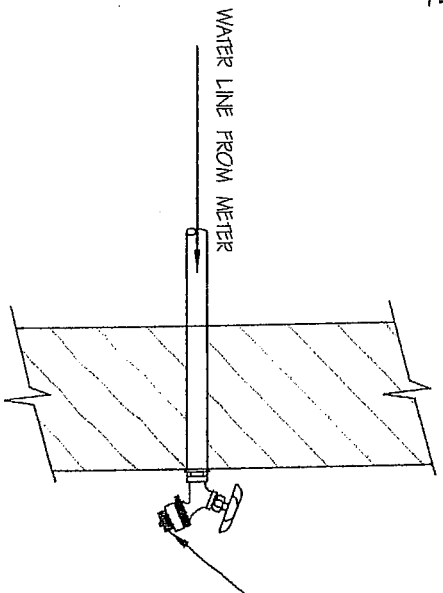


BACK FLOW PREVENTER:
 PRESSURE VACUUM BREAKER ASSE 1020
 REDUCED PRESSURE PRINCIPLE ASSE 1015
 ATMOSPHERIC ASSE 1001
 MUST BE TESTABLE

12" MIN. CLEARANCE ABOVE
 HIGHEST POINT OF DOWNSTREAM
 PIPING WITH PVB TYPE

NOTE:
 BACK FLOW DEVICE MUST BE TESTED
 UPON INSTALLATION & REPORT PROVIDED
 TO CITY

LAWN IRRIGATION SYSTEM



HOSE CONNECTION VACUUM BREAKER
 ASSE 1052, ASSE 1011, ASSE 1019,
 ASSE 1035
 MAY BE EXTERNAL, SCREW ON TYPE or
 MANUFACTURED AS PART OF THE HOSE
 BIBB UNIT

EXTERIOR HOSE BIBB

**LAWN IRRIGATION &
 HOSE BIBB BACKFLOW**

DRAWING IS NOT TO SCALE



CITY of NORTH OLMSTED

Mayor Kevin M. Kennedy

A 5200 Dover Center Road | North Olmsted, Ohio 44070 P 440-716-4127 F 440-777-5889

Lawn Irrigation Procedure Acknowledgement

Contractor: _____ Date: _____

Address: _____ Phone: _____

Property Owner: _____ Date: _____

Address: _____ Phone: _____

Construction Site Address: _____

All lawn irrigation systems connected to the Cleveland Water system shall have backflow devices tested and the test report shall be provided to the inspector at the time of inspection.

A yearly test shall be performed and test report shall be submitted to the City of Cleveland Water Department.

Homeowner and contractor must acknowledge these conditions by signing below.

A second water meter (submeter), which would eliminate sanitary sewer charges for outdoor water usage, may be purchased through the City of Cleveland Water Department. Inspection is required.

Owner: _____ Date: _____

Contractor: _____ Date: _____



City of Cleveland

Jane L. Campbell, Mayor

Department of Public Utilities
Division of Water
1201 Lakeside Avenue
Cleveland, Ohio 44114-1175
(216) 664-2444
www.clevelandwater.com

June 9, 2004



To: All Building Departments, Plumbing Contractors and Residential Customers

From: *JM* Jay Messner – Backflow Supervisor
(216) 664-3944

Subject: Lawn Irrigation

The Cleveland Water Department is requiring ALL Lawn Irrigation Systems to be protected with a Pressure Vacuum Breaker or a Reduced Pressure Backflow assembly on all commercial and residential accounts.

All repairs and replacement will need to be upgraded.

Under Ohio Plumbing Code 608.16.5 - Connections to all Lawn Irrigation Systems.

Requirements for installing Back Flow assemblies:

Reduced Pressure Principle – Backflow Prevention Device

Standard Number ASSE 1013

Limitation – May not be installed in a pit (due to the possibility of flooding of the pit)

Pressure Vacuum Breaker

Standard Number ASSE 1020

Limitation - The Critical installation level is 12" above the highest down-stream use.

Requirements for testing:

1. upon installation
2. annually
3. upon repair

Testing must be performed by a person possessing a valid certificate of competence issued by the City of Cleveland, Division of Water.

Lawn Irrigation Systems: Suitable time of annual testing should be at start-up time of irrigation system.

CAUTION: These back flow assemblies may be susceptible to freezing during 32° Fahrenheit or below.

JM: jc